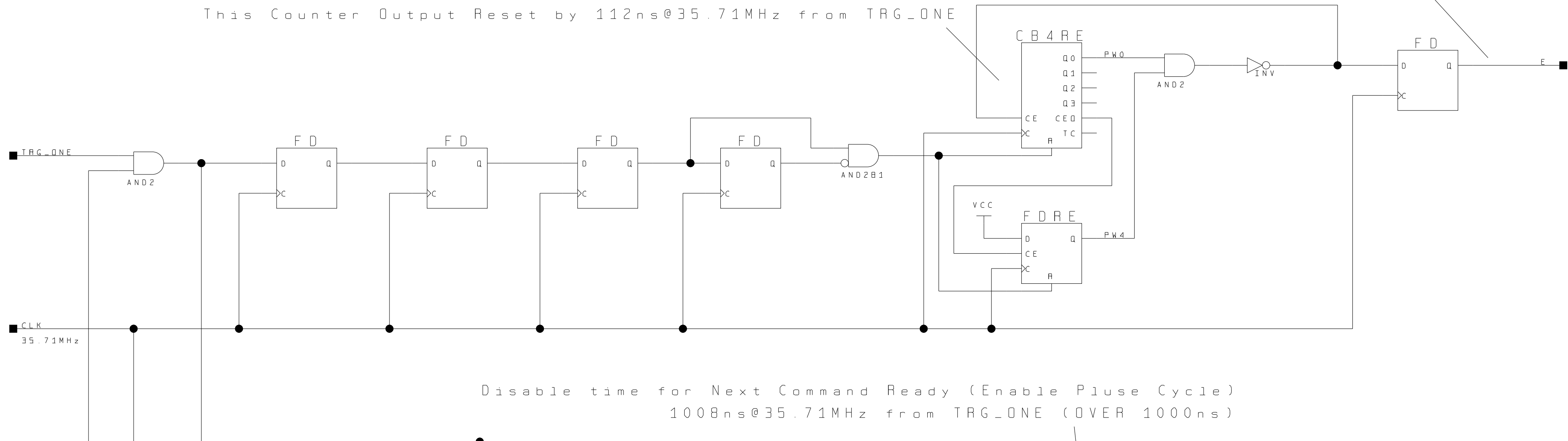


The Enable Pulse Width is OVER 460ns.
476ns@35.71MHz from TRG_ONE

Makes an Enable Pulse Setup time (OVER 140ns)
This Counter Output Reset by 112ns@35.71MHz from TRG_ONE



Disable time for Next Command Ready (Enable Pulse Cycle)
1008ns@35.71MHz from TRG_ONE (OVER 1000ns)

